

MARITIME ANTENNA

Maritime 10

Overview

- Designed for Marine Applications**
 IP68 rated, durable omnidirectional antenna, with UV-stable housing, providing the best signal reception.
- Designed for 5G**
 High performance in all low, mid and high bands for the best 5G connectivity at sea.
- Wide bandwidth**
 Wide frequency range (600-4200MHz) supporting LTE and 5G connectivity.
- Easy installation**
 Supports standard marine 1" 14 TPI thread mount and also has an L-shape mount for non standard installations.

Applications

- Maritime

9.3
dBi

IP
68

1x1
SISO

↑↓
LTE

Built
for
5G

LONG
Range

Specification

Cellular

Antenna elements	1 element
Cellular frequency bands & Gain	2.8dBi: 617-960MHz 8.2dBi: 1710-2700MHz 9.3dBi: 3400-4200MHz
VSWR	<2.8: 617-960MHz <2.1: 1710-4200MHz
Max feed power handling	10W
Input impedance	50 Ω
Polarisation	Linear

Mounting

Supported types	Standard Maritime 1" 14 TPI thread Pole and wall mounting Pole diameter: 1-2" (25-50mm)
-----------------	---

Mechanical

Termination	N-type female
Product dimensions (Diameter) (Height)	3.78" / 96mm 19.04" / 483.5 mm
Packaged dimensions	26.3" x 6.0" x 6.1" 668 x 153 x 155 mm
Housing material	UV stable PC

Package contents

Antenna	Maritime Antenna 10
Accessories	Maritime mount set L-shape mount set

Environmental & Compliance

IP rating	IP68
Operating temperature	-40° - 176°F / -40° - 80°C
Storage temperature	-40° - 176°F / -40° - 80°C
Compliance	ROHS, REACH, WEEE
Wind survivability	100mph / 160km/h
Salt Spray	MIL-STD 810F/ASTM B117

Contact Us

maritime@peplink.com

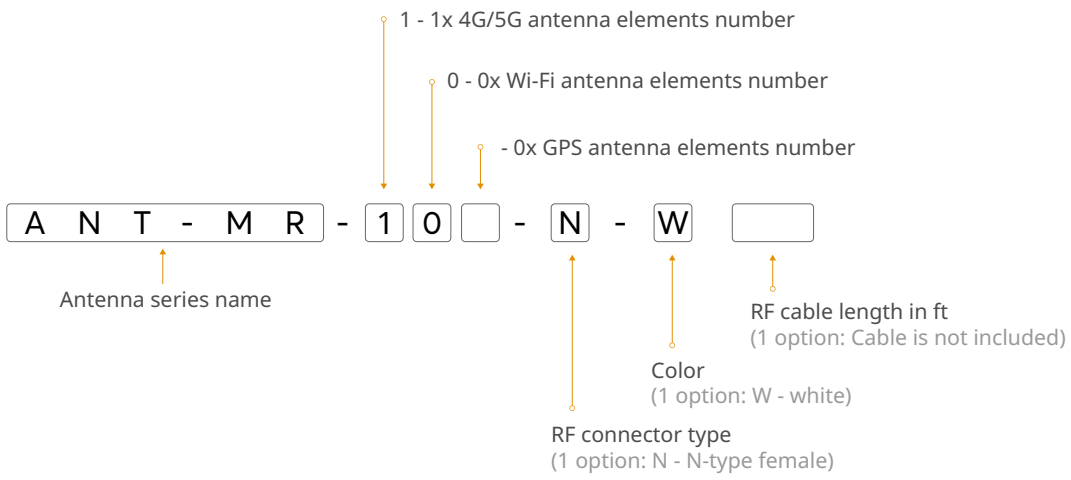
Find a Peplink Certified Partner

<https://www.peplink.com/peplink-certified-partners/>

Maritime 10

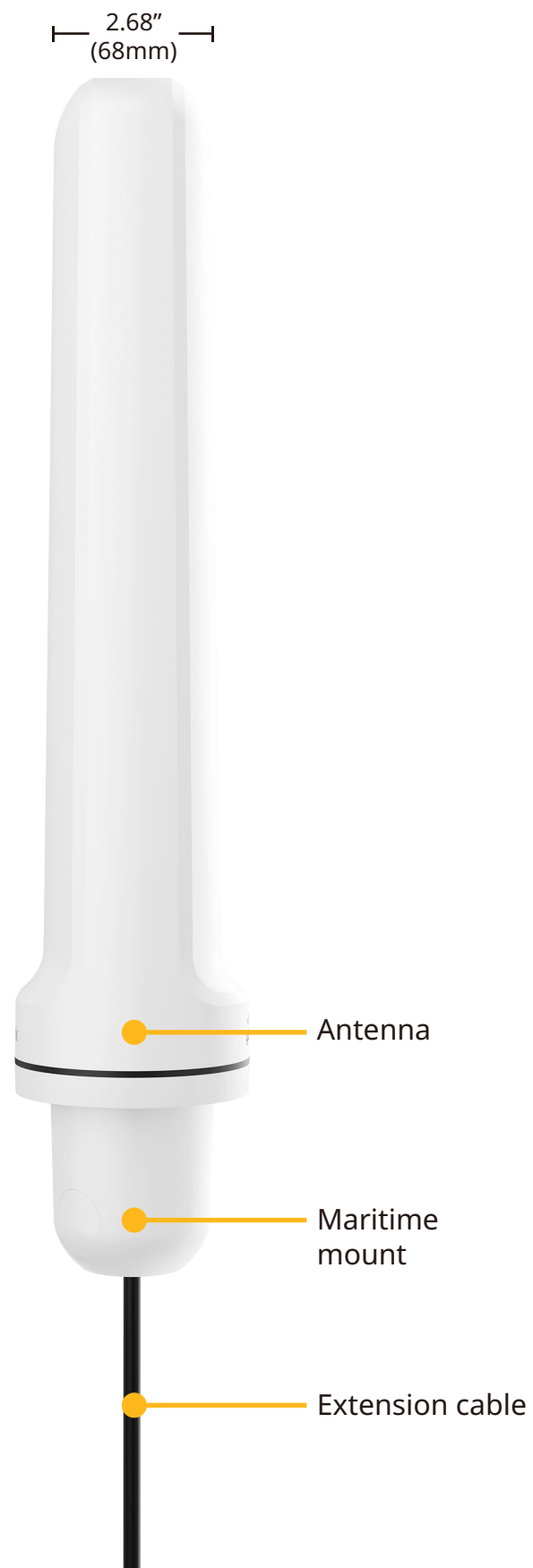
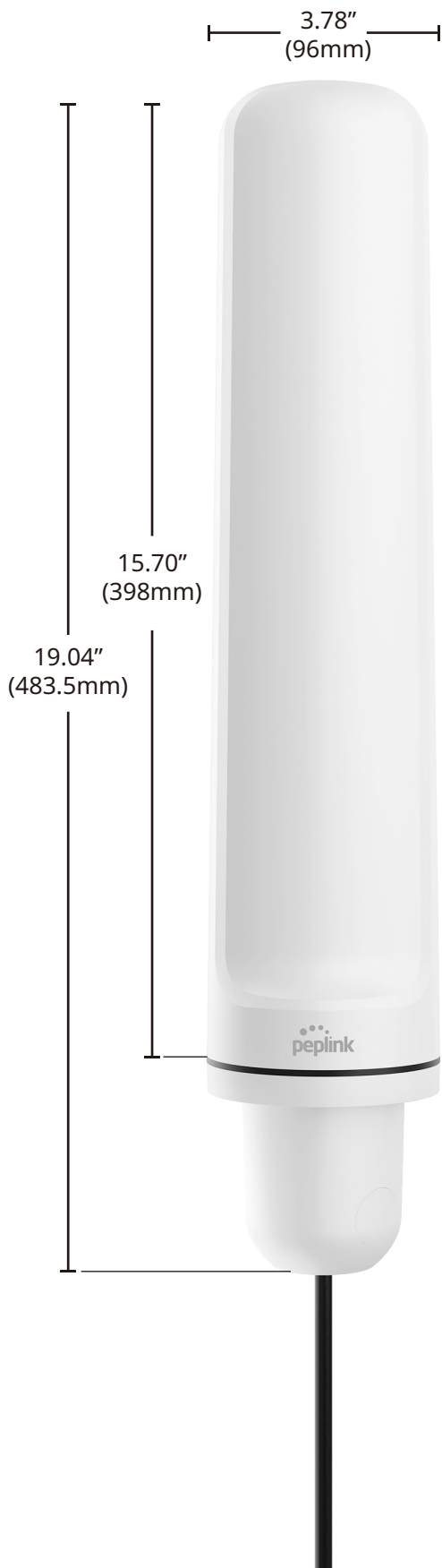
Specifications subject to change without notice.

Ordering Information

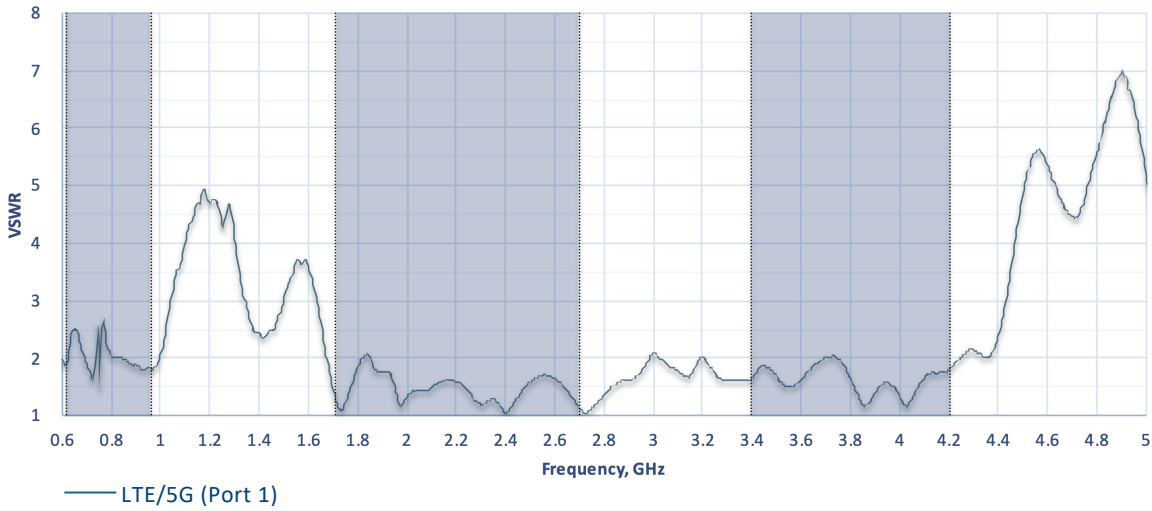


Product Code	Description
ANT-MR-10-N-W	1x LTE/5G, 600-4200MHz, IP68, N-type female, White

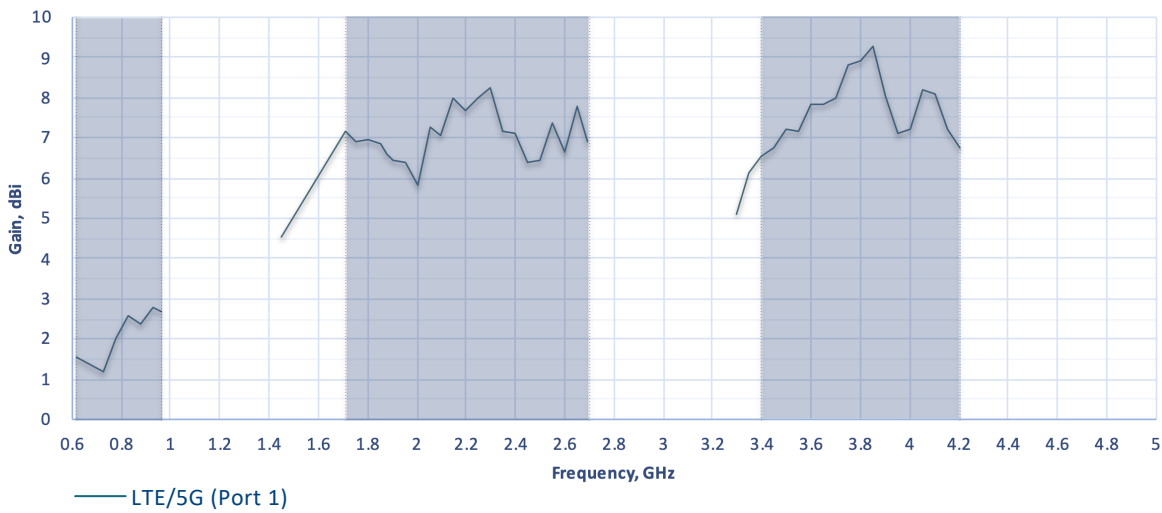
Technical Drawing



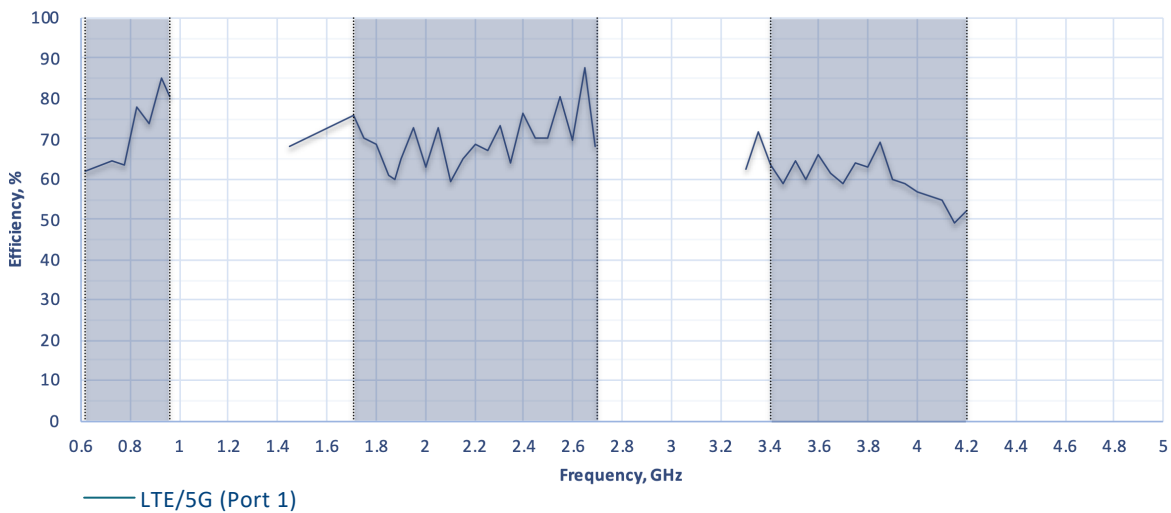
Cellular Antenna VSWR



Cellular Antenna Gain

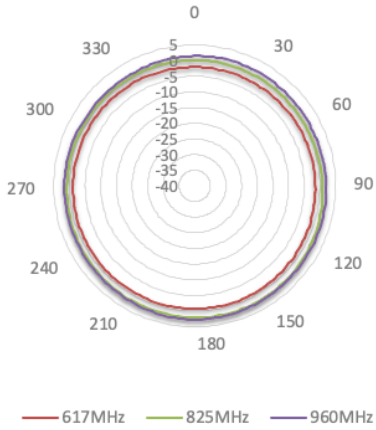


Cellular Antenna Efficiency

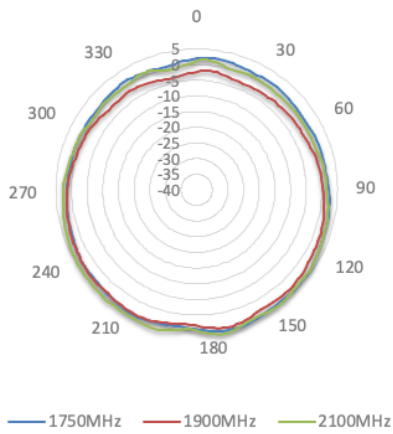


Radiation Patterns (Azimuth)

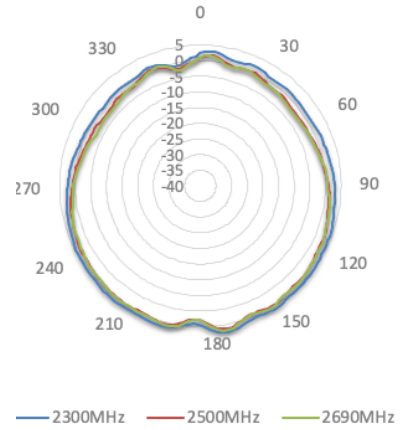
430-960 MHz



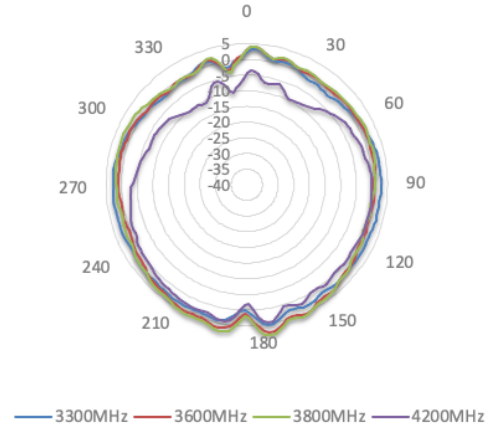
1710-2100 MHz



2300-2700 MHz



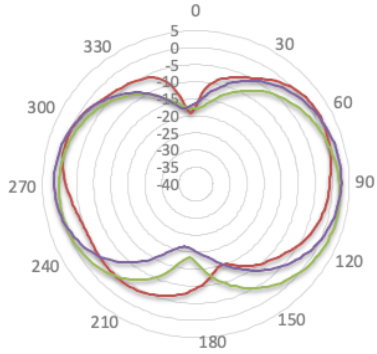
3400-3800 MHz



Maritime 10

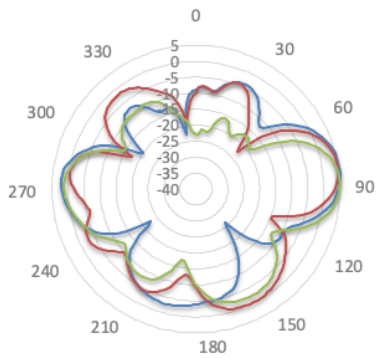
Radiation Patterns (Elevation 1)

430-960 MHz



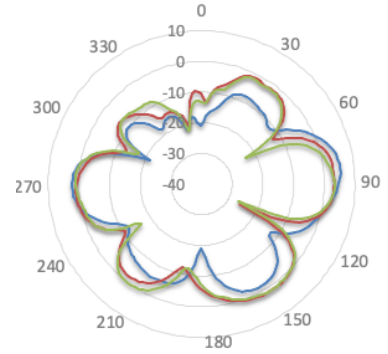
— 617MHz — 825MHz — 960MHz

1710-2100 MHz



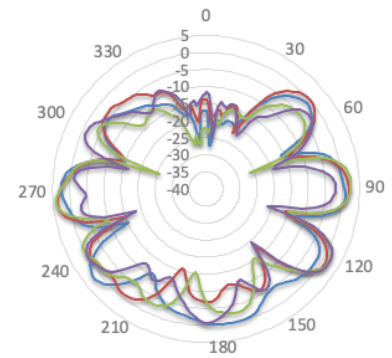
— 1750MHz — 1900MHz — 2100MHz

2300-2700 MHz



— 2300MHz — 2500MHz — 2690MHz

3400-3800 MHz

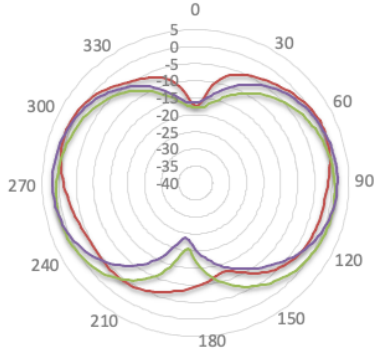


— 3300MHz — 3600MHz — 3800MHz — 4200MHz

Maritime Antenna 10

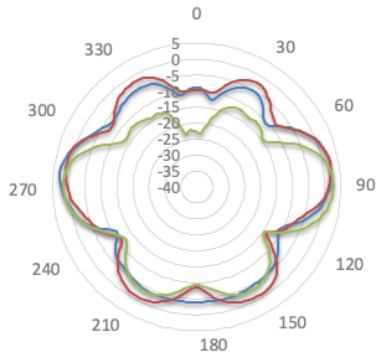
Radiation Patterns (Elevation 2)

430-960 MHz



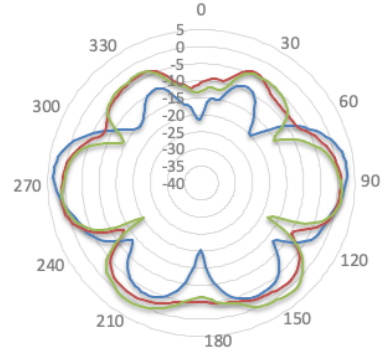
— 617MHz — 825MHz — 960MHz

1710-2100 MHz



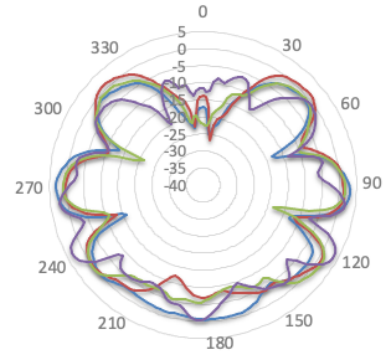
— 1750MHz — 1900MHz — 2100MHz

2300-2700 MHz



— 2300MHz — 2500MHz — 2690MHz

3400-3800 MHz

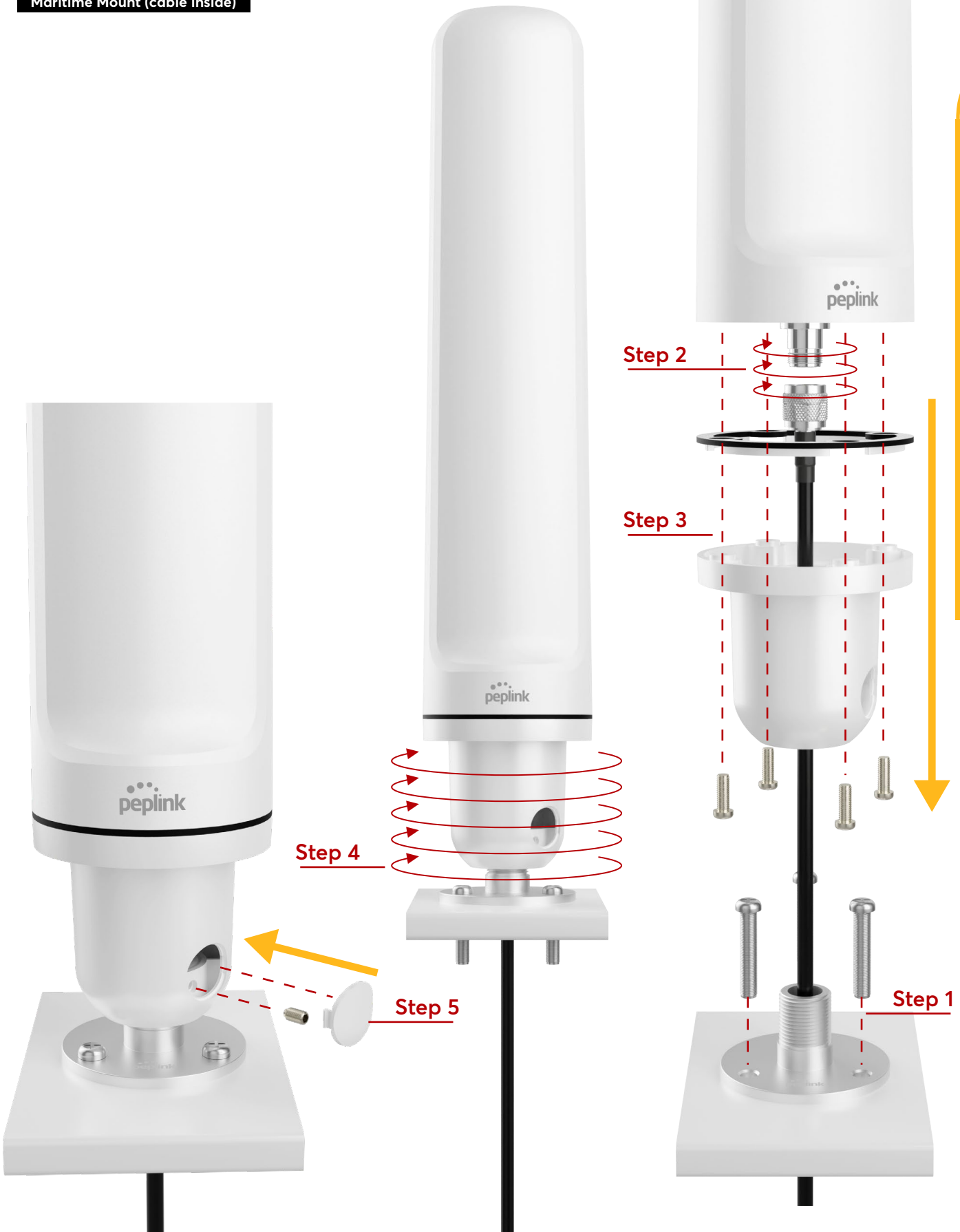


— 3300MHz — 3600MHz — 3800MHz — 4200MHz

Maritime Antenna 10

Installation Recommendation

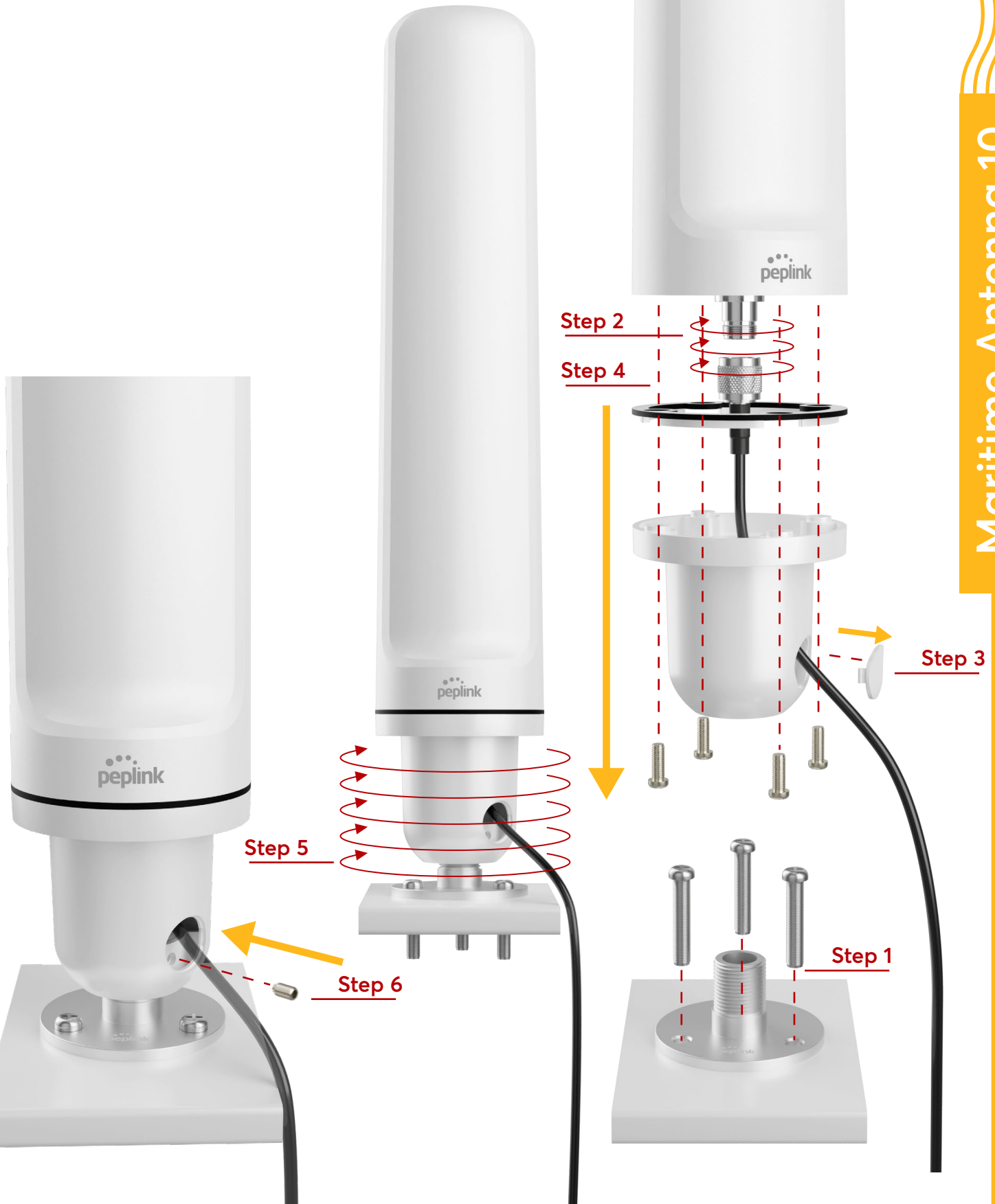
Maritime Mount (cable inside)



Installation Recommendation

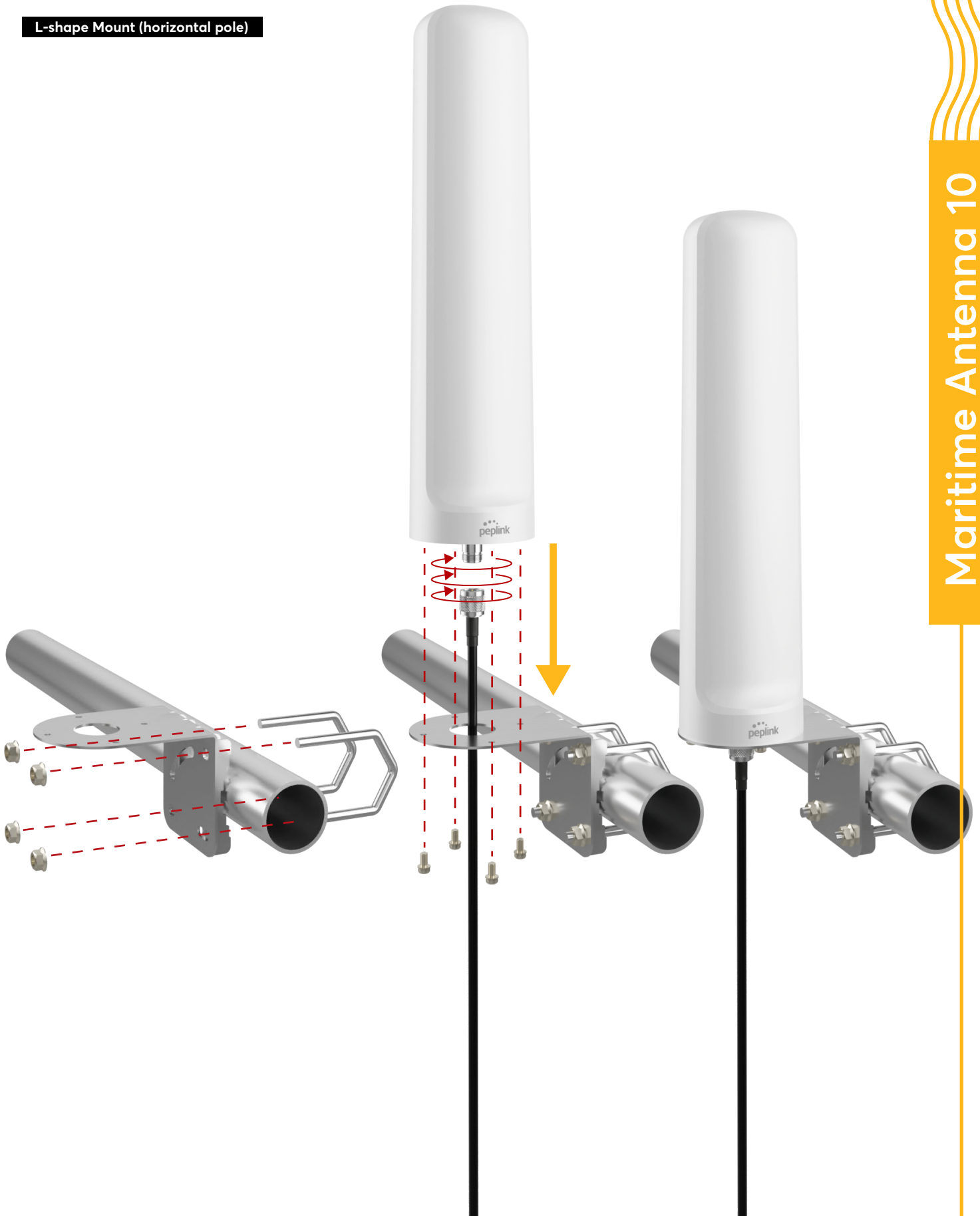
Maritime Mount (cable outside)

Maritime Antenna 10



Installation Recommendation

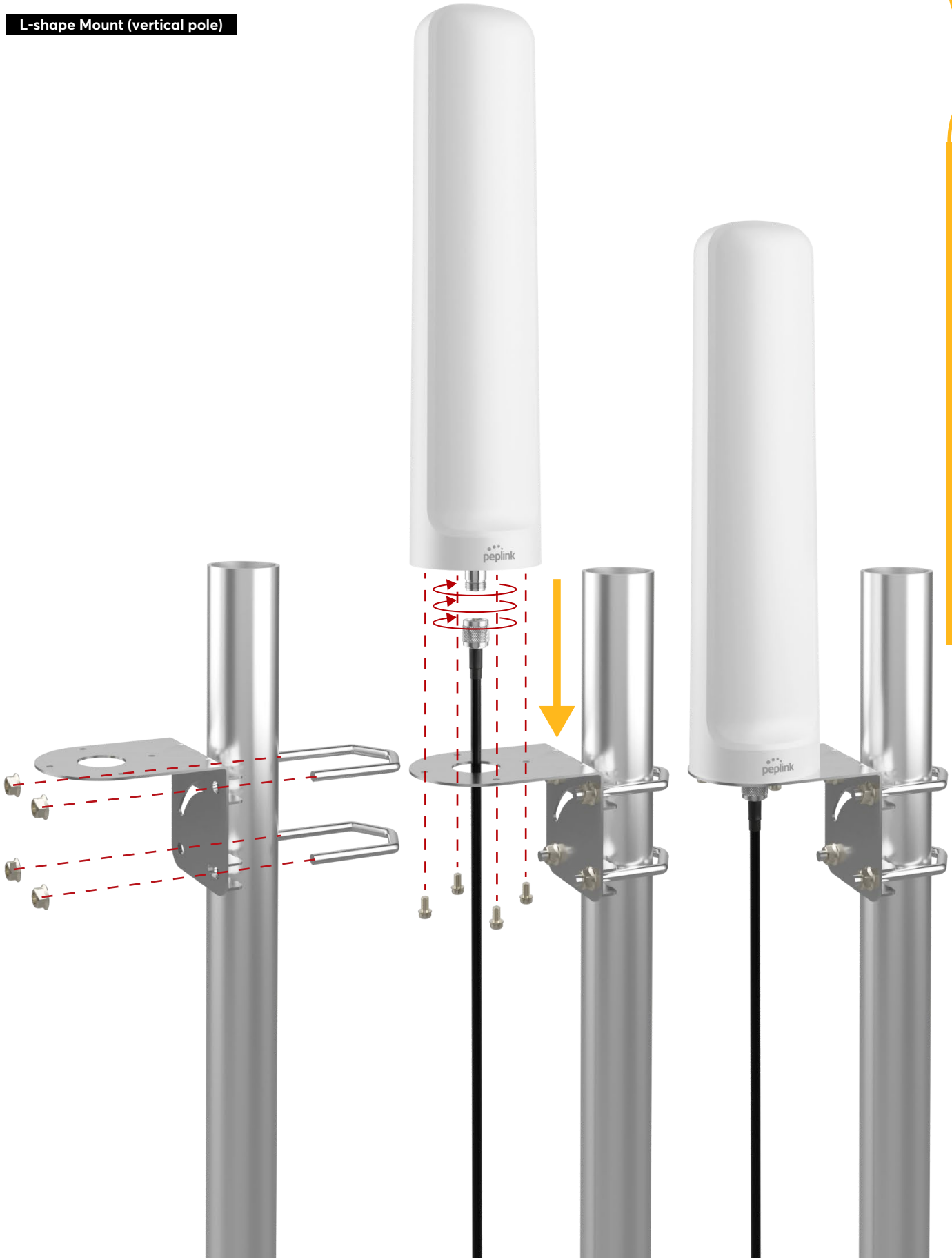
L-shape Mount (horizontal pole)



Maritime Antenna 10

Installation Recommendation

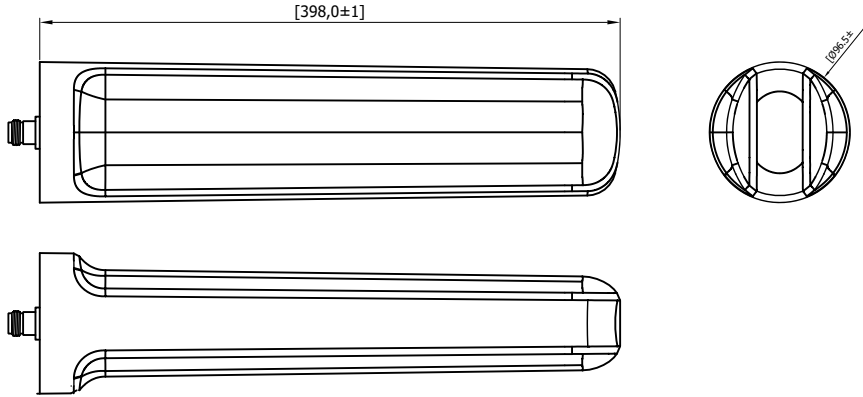
L-shape Mount (vertical pole)



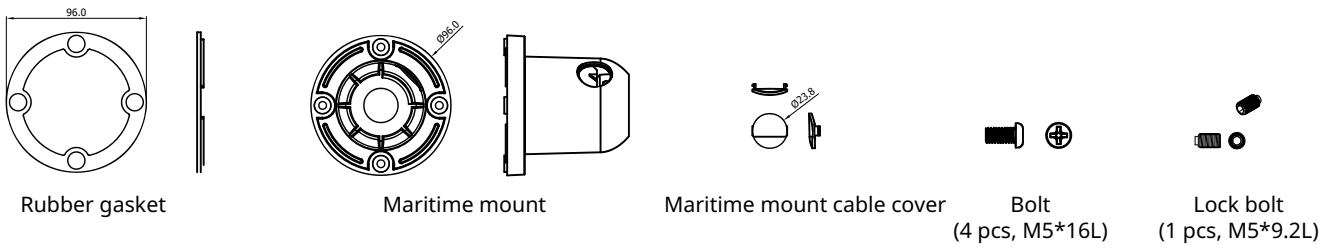
Maritime Antenna 10

Packing List Information

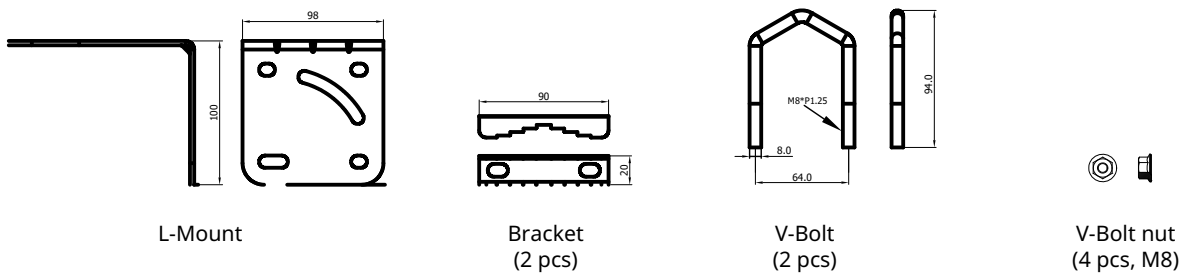
Antenna



Maritime Mount Set



L-Mount Mount Set



Maritime Antenna 10