

**DESCRIPTION**

- Loads/terminations are matched to 50 ohms characteristic impedance. Matched loads provide a termination designed to absorb all the incident power with very little reflection. Terminations are used in a wide variety of systems; any port of a multi-port microwave device that is not involved in the measurement, or in a system, should be terminated in its characteristic impedance in order to ensure an accurate measurement.
- This series of coaxial loads have very low VSWR and are especially suitable for use with:
  - Power Hybrids.
  - Isolators.
  - Coaxial Transmission Lines.
  - Power Monitors.
  - Wattmeters.
  - Receiver Multicouplers.
- The surface of the dummy loads is black anodized.



**PRL 15W**



**PRL 30W**



**PRL 3W**



**PRL 1W**

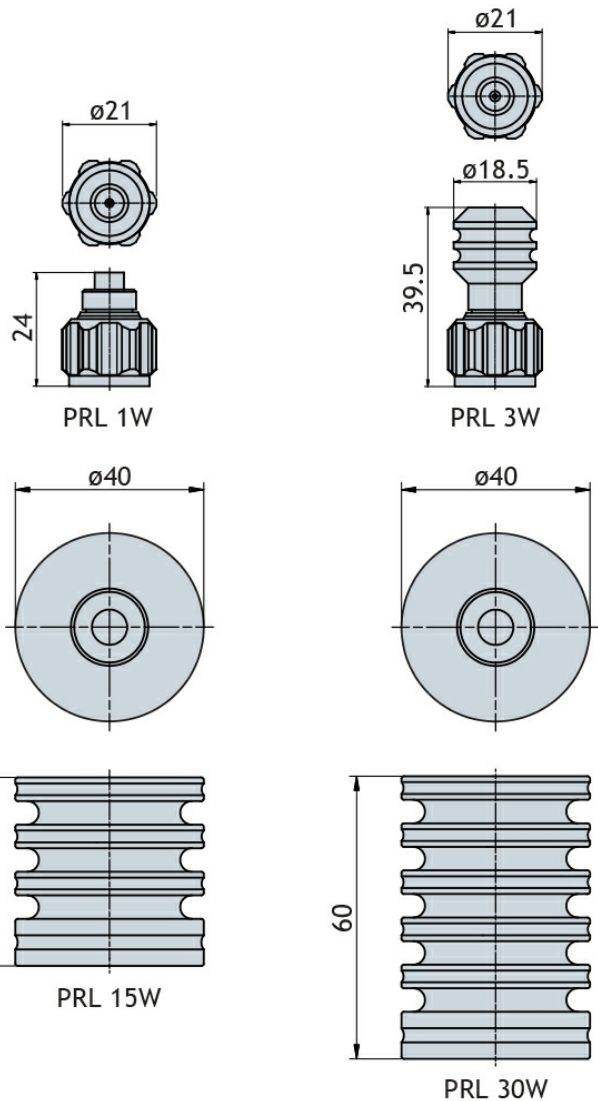
**SPECIFICATIONS**

Electrical				
Model	PRL 1W	PRL 3W	PRL 15W	PRL 30W
Frequency	0-1 GHz	0-1.0 (2.5) GHz	0-1.5 (2.5) GHz	0-1.5 (2.5) GHz
Max. Input Power	1 W	3 W	15 W (30 W with extra cooling)	30 W (60 W with extra cooling)
Impedance	50 Ω			
VSWR	< 1.5:1	< 1.15:1 (< 1.5:1)	< 1.15:1 (< 1.5:1)	< 1.15:1 (< 1.5:1)
Mechanical				
Connection(s)	N(m)			
Dimensions	ø21 x 24 mm	ø21 x 39.5 mm	ø40 x 40 mm	ø40 x 60 mm
Weight	0.025 kg / 0.06 lb.	0.05 kg / 0.11 lb.	0.105 kg / 0.23 lb.	0.18 kg / 0.40 lb.
Environmental				
Operating temperature range	-30 °C to +60 °C			

**ORDERING**

Model	Product No.
PRL 1W	210000640
PRL 3W	210000869
PRL 15W	210000553
PRL 30W	210000554

DIMENSIONS



All dimensions are given in mm.

