

Multiband PowerTapper 88 - 5850 MHz

DESCRIPTION

- > 500 W power tapper with 4.8 to 30 dB coupling covering the 88 - 5850 MHz.
- > Taps off a portion of the signal from the main line.
- > Amphenol Procom tappers are symmetrical around the main line. Meaning that you will have the same good VSWR from both sides of the main line.
- > Excellent high-power performance.
- > Very low insertion loss over the entire frequency range.
- > Power tappers are frequently used in distributed antenna systems in buildings or tunnels. Tappers operate similarly to directional couplers, but without the directivity (no isolation between output port and coupled port) and have relatively broad bandwidths.



SPECIFICATIONS

Electrical	
Model	PRO-TAP 88-5850-...-N
Frequency	88 - 5850 MHz
Max. Input Power	500 W
Coupling	See table for Coupling / Coupling tolerance
Group Delay, Coupled	< 0.8 ns
Impedance	50 Ω
Group Delay, Through	< 0.6 ns
Total Loss	See table for Total Loss
VSWR	See table for VSWR
Passive Intermodulation	< -153 dBc (2 x 43 dBm)
Mechanical	
Compliance	RoHS, IP67
Connection(s)	N(f)
Dimensions	167 x 32 x 62 mm / 6.57 x 1.26 x 2.44 in. (without bracket)
Weight	Approx. 0.51 kg / 1.12 lb.
Mounting	6.5 mm dia. (two holes)
Environmental	
Operating temperature range	-30 °C to +60 °C

TABLE FOR COUPLING / COUPLING TOLERANCE

Coupling	88 - 150 MHz	150 - 380 MHz	380 - 1550 MHz	1710 - 2700 MHz	3400 - 3500 MHz	3500 - 4500 MHz	5000 - 5850 MHz
4.8 dB	+0.5 / +4.0 dB	0.0 / +2.0 dB	-1.0 / +1.0 dB	-1.0 / +1.7 dB	0.0 / +2.5 dB	-1.0 / +1.5 dB	-1.5 / +1.7 dB
6 dB	+0.5 / +5.0 dB	-0.5 / +2.5 dB	-1.0 / +1.0 dB	-1.0 / +1.0 dB	-1.0 / +2.5 dB	-1.5 / +1.5 dB	-1.5 / +3.0 dB
8 dB	+1.0 / +5.0 dB	-0.5 / +2.5 dB	-1.0 / +1.0 dB	-1.0 / +1.0 dB	-1.0 / +2.5 dB	-2.5 / +1.5 dB	-2.5 / +2.5 dB
10 dB	+1.0 / +5.0 dB	-0.5 / +2.5 dB	-1.0 / +1.0 dB	-1.0 / +1.5 dB	-1.5 / +1.5 dB	-2.0 / +1.0 dB	-2.5 / +3.0 dB
15 dB	0.0 / +4.0 dB	-0.5 / +1.5 dB	-1.0 / +1.0 dB	-1.5 / +1.5 dB	-3.0 / +0.5 dB	-3.5 / +0.0 dB	-3.5 / +2.5 dB
20 dB	-0.5 / +2.0 dB	-1.0 / +1.0 dB	-1.0 / +1.0 dB	-1.0 / +2.0 dB	-6.5 / -2.0 dB	-5.5 / -0.5 dB	-4.5 / +2.5 dB
30 dB	-3.0 / +1.5 dB	-3.0 / +1.5 dB	-3.0 / +1.5 dB	-3.0 / +4.0 dB	-16.0 / -6.0 dB	-11.0 / -1.0 dB	-10.0 / +6.0 dB

TABLE FOR TOTAL LOSS

Coupling	88 - 1550 MHz	1710 - 2700 MHz	3400 - 3500 MHz	3500 - 4500 MHz	5000 - 5850 MHz
4.8 dB	< 2.10 dB	< 2.30 dB	< 2.80 dB	< 3.00 dB	< 3.50 dB
6 dB	< 1.75 dB	< 1.90 dB	< 2.30 dB	< 2.30 dB	< 2.30 dB
8 dB	< 1.10 dB	< 1.30 dB	< 1.50 dB	< 1.50 dB	< 1.60 dB
10 dB	< 0.65 dB	< 0.75 dB	< 0.90 dB	< 0.95 dB	< 1.20 dB
15 dB	< 0.30 dB	< 0.30 dB	< 0.50 dB	< 0.50 dB	< 0.60 dB
20 dB	< 0.25 dB	< 0.25 dB	< 0.35 dB	< 0.35 dB	< 0.55 dB
30 dB	< 0.15 dB	< 0.20 dB	< 0.50 dB	< 0.40 dB	< 0.50 dB

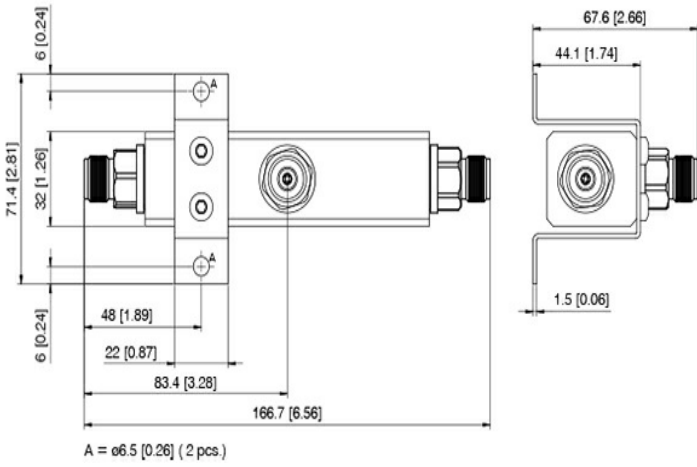
TABLE FOR VSWR

Coupling	88 - 1550 MHz	1710 - 2700 MHz	3400 - 4500 MHz	5000 - 5850 MHz
4.8 dB	< 1.65	< 1.70	< 1.80	< 2.00
6 dB	< 1.50	< 1.60	< 1.70	< 1.80
8 dB	< 1.35	< 1.40	< 1.50	< 1.50
10 dB	< 1.25	< 1.35	< 1.40	< 1.45
15 dB	< 1.20	< 1.25	< 1.40	< 1.50
20 dB	< 1.20	< 1.20	< 1.40	< 1.50
30 dB	< 1.20	< 1.20	< 1.40	< 1.50

ORDERING

Model	Product No.	Description
PRO-TAP 88-5850-4.8 dB-N(f)	210002741	Coupling: 4.8 dB
PRO-TAP 88-5850-6 dB-N(f)	210002742	Coupling: 6 dB
PRO-TAP 88-5850-8 dB-N(f)	210002743	Coupling: 8 dB
PRO-TAP 88-5850-10 dB-N(f)	210002744	Coupling: 10 dB
PRO-TAP 88-5850-15 dB-N(f)	210002745	Coupling: 15 dB
PRO-TAP 88-5850-20 dB-N(f)	210002746	Coupling: 20 dB
PRO-TAP 88-5850-30 dB-N(f)	210002747	Coupling: 30 dB

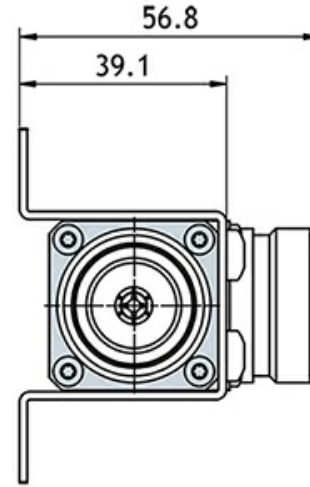
Mounting Details Standard Bracket



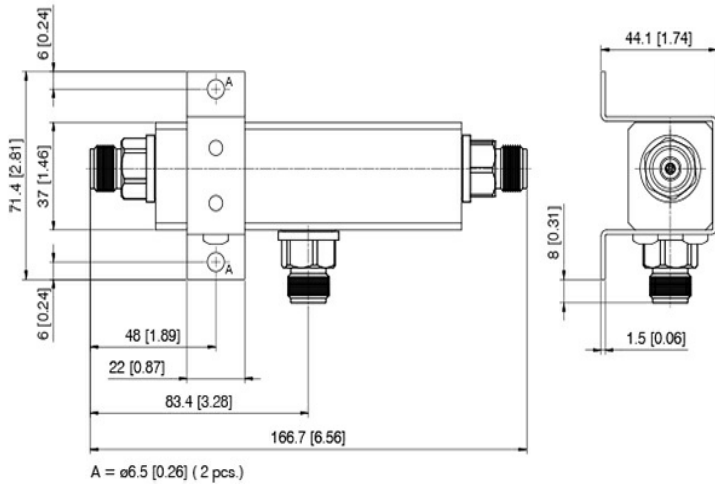
All dimensions are given in mm [in.]

Accessories: TB-39 Bracket

Extra High



Mounting Details Standard Bracket for Side Mounting



All dimensions are given in mm [in.]

