

## Indoor Linearly Polarized Patch Antennas for mounting on Wall / Ceiling or Mast.

### DESCRIPTION

- Low-profile antenna for the 380 - 470 MHz band.
- PLPI/TETRA/... is a patch antenna for indoor use.
- Specially designed for closed rooms.
- Covers 50 MHz with a radiation of approx. 7 dBi.
- The antenna is carefully sealed with a discreet cover.
- The connector is placed at one side to enable mounting close to a wall or a ceiling.
- Including wall mounting bracket. PATCH-MAMO and PATCH-WAMO to be ordered separately.
- Connection also available on backside (see overleaf).



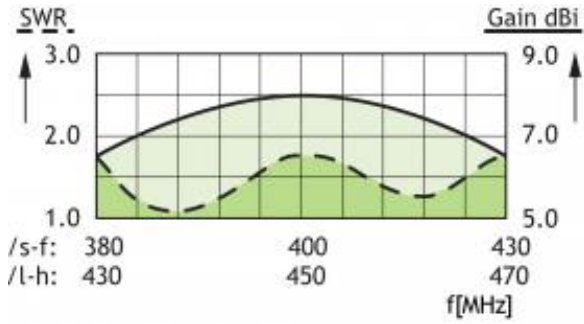
### SPECIFICATIONS

Electrical	
Model	PLPI/TETRA/...
Frequency	380 - 470 MHz covered by two models
Antenna Type	Linearly polarized patch antenna
Max. Input Power	100 W
Polarisation	Linear (Vertical or Horizontal)
3 dB Beamwidth, E-Plane	80 °
3 dB Beamwidth, H-Plane	80 °
Impedance	50 Ω
Gain	4.8 dBd / 7dBi
VSWR	< 2.0:1
Front-To-Back Ratio	PLPI/TETRA/s-f : 21 dB PLPI/TETRA/l-h : 17 dB
Antistatic Protection	All metal parts DC-grounded (Connector shows a DC-short)
In iBwave	Yes
Mechanical	
Connection(s)	N(f)
Materials	Cover: ABS (white) Chassis: Aluminium
Colour	White (RAL 9003)
Dimensions	Approx. 345 x 345 x 60 mm / 13.58 x 13.58 x 2.36 in.
Weight	Approx. 2.3 kg / 5.07 lb.
Mounting	For mounting on wall or ceiling 5 mm / 0.20 in. (three holes) (see mounting details) or mast on 40 - 55 mm / 1.57 x 2.17 in. dia. mast tube.
Environmental	
Operating temperature range	-30 °C to +75 °C

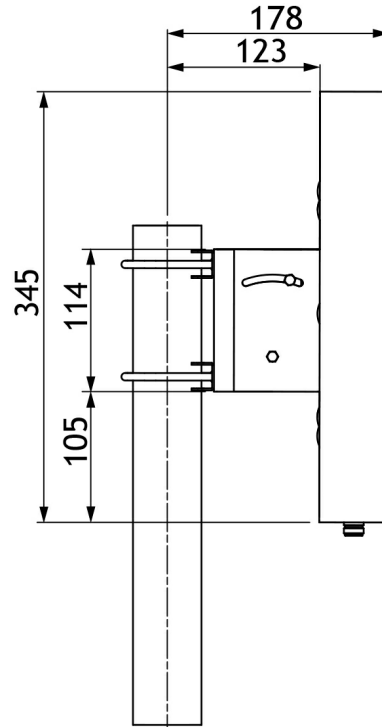
### ORDERING

Model	Product No.	Description	Frequency
PLPI/TETRA/s-f	100000423	Standard Version	380 - 430 MHz
PLPI/TETRA/l-h	100000445	Standard Version	430 - 470 MHz
Back Connector version			
PLPI/TETRA/s-f-BC	100000581	Back Connector Version	380 - 430 MHz
PLPI/TETRA/l-h-BC	100000635	Back Connector Version	430 - 470 MHz
Accessories			
PATCH-WAMO	100000511	Bracket	
PATCH-MAMO	100000447	Bracket	

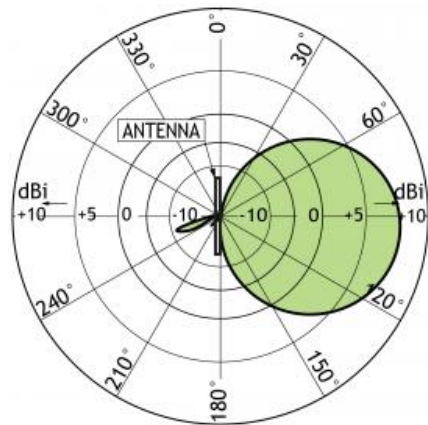
TYPICAL GAIN AND VSWR CURVES



MOUNTING DETAILS (PATCH-MAMO)



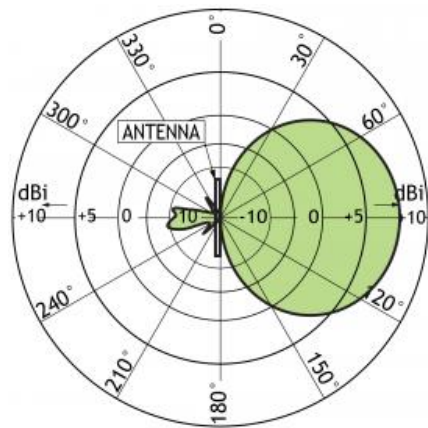
TYPICAL RADIATION PATTERN (E-PLANE)



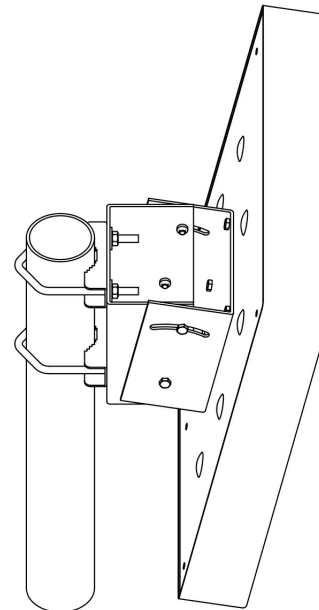
This curve shows the radiation patterns in the vertical plane.

MAST MOUNTING BRACKET: PATCH-MAMO (ORDERED SEPARATELY)

TYPICAL RADIATION PATTERN (H-PLANE)

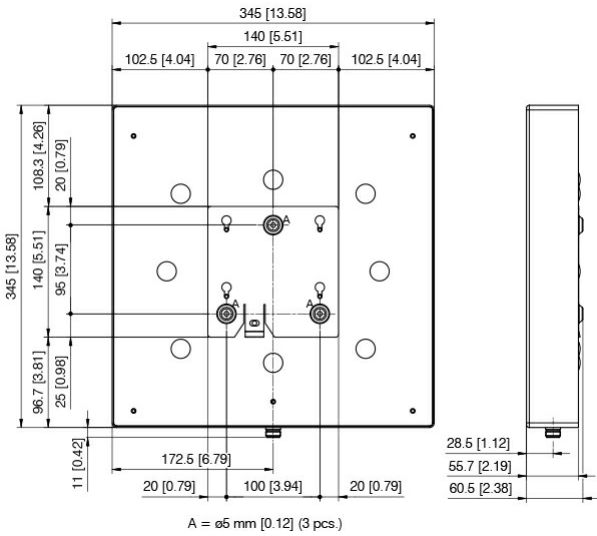


This curve shows the radiation patterns in the horizontal plane (horizontal coverage).



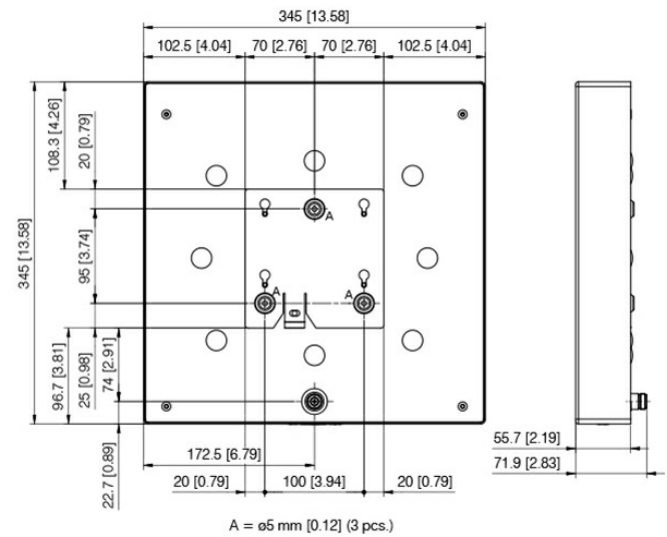
Tilt adjustable from +5°/-30°.

MOUNTING DETAILS (WALL MOUNTING BRACKET INCLUDED)



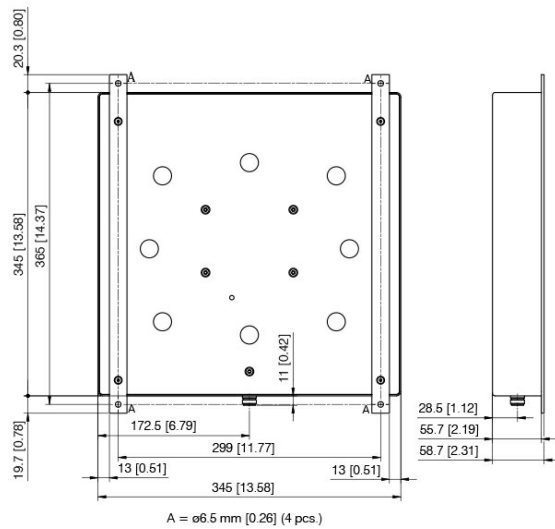
All dimensions are given in mm [in.]

MOUNTING DETAILS BACK CONNECTOR VERSION (WALL MOUNTING BRACKET INCLUDED)



All dimensions are given in mm [in.]

MOUNTING DETAILS PATCH-WAMO (ORDERED SEPARATELY)



All dimensions are given in mm [in.]

