

Bi-directional Power Monitors

DESCRIPTION

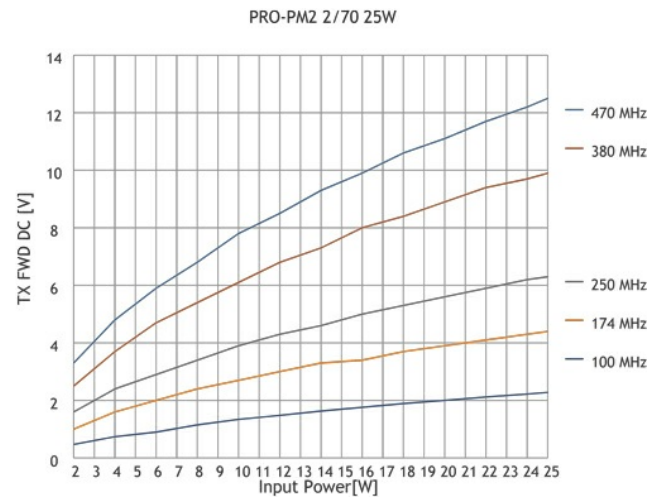
- Compact bi-directional power monitor for the frequency range 140 - 470 MHz.
- PRO-PM2-2/70 is adjusted to give 13 V \pm 0.5 V at 470 MHz and 25 W input power.
- Typical values of the Tx FWD DC voltage as a function of input power and frequency is shown in the figure below.
- The technology used can generate 2. harmonic. Therefore, it is recommended to use low pass filtering on the output.



SPECIFICATIONS

Electrical	
Model	PRO-PM2-2/70-25W
Frequency	140 - 470 MHz
Max. Input Power	25 W
Insertion Loss	Typ. 0.1 dB < 0.3 dB
Impedance	50 Ω
VSWR	< 1.25:1
Mechanical	
Connection(s)	N(f)
Dimensions	90 x 39.5 x 28 mm / 3.54 x 1.56 x 1.10 in.
Weight	Approx. 0.15 kg / 0.33 lb.
Environmental	
Operating temperature range	-30 °C to +60 °C

TYPICAL RESPONSE CURVE

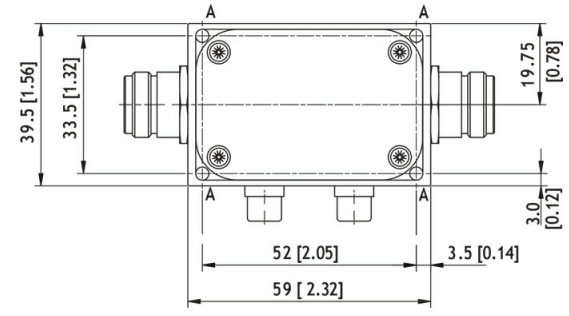
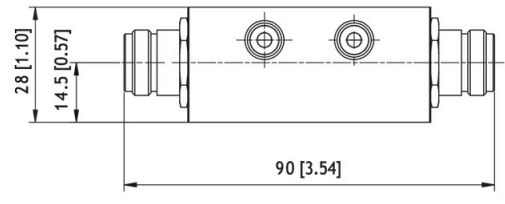


The maximum Tx FWD DC voltage can be adjusted, if necessary. In that case, new DC voltage vs. power curves must be made again.

ORDERING

Model	Product No.
PRO-PM2-2/70-25W-N(f)-N(f)	210000949

MOUNTING DETAILS



A = $\varnothing 3.2$ [0.13] through- going (4 pcs.)

All dimensions are given in mm [in.]

