

Power Splitter 300 W

DESCRIPTION

- Amphenol Power Splitters covers the bands of 698 - 2700 MHz with a PIM value of -153 dBc.
- Average max. power of 300 W.
- Mechanically sound and robust which will allow these to be utilised indoors and outdoors with a IP 65 rating.
- Connectors configurations of N-Female.



SPECIFICATIONS

Electrical			
Model	APS-02-WBM-LP-NF-CC	APS-03-WBM-LP-NF-CC	APS-04-WBM-LP-NF-CC
Frequency	698 - 2700 MHz		
Max. Input Power	300 W		
Peak Input Power	1 kW		
Insertion Loss	0.2 dB	0.3 dB	0.4 dB
Impedance	50 Ω		
Application	Indoor / Outdoor		
Split Loss	3 dB	4.8 dB	6 dB
VSWR	< 1.2:1	< 1.25:1	< 1.3:1
Passive Intermodulation	< -153 dBc (2 x 43 dBm)		

Mechanical			
Plating	Silver / Trimetal		
Connection(s)	N(f)		
Colour	Black		
Weight	Approx. 0.34 kg / 0.75 lb.	Approx. 0.38 kg/ 0.84 lb.	Approx. 0.42 kg / 0.93 lb.
RoHS Compliant	Yes		
Mounting	3.2 mm / 0.13 in. dia. (four holes)		

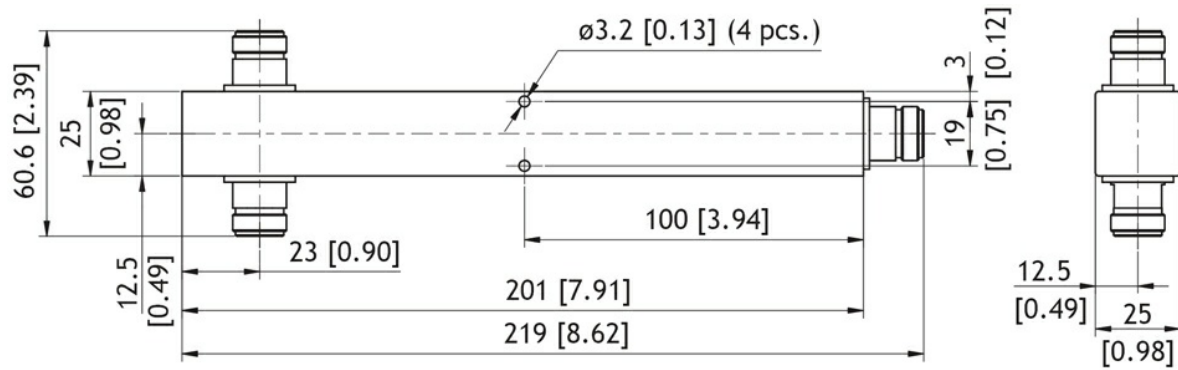
Environmental	
Operating temperature range	-35 °C to +70 °C
Humidity	< 95%
Ingress Protection	IP65

ORDERING

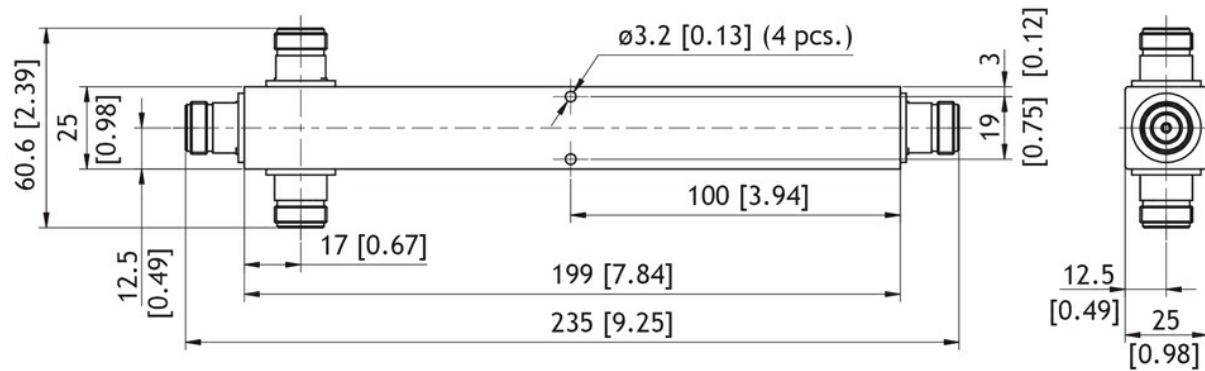
Model	Product No.	Frequency
2-Way Divider	APS-02-WBM-LP-NF-CC	698 - 2700 MHz
3-Way Divider	APS-03-WBM-LP-NF-CC	698 - 2700 MHz
4-Way Divider	APS-04-WBM-LP-NF-CC	698 - 2700 MHz

MOUNTING DETAILS

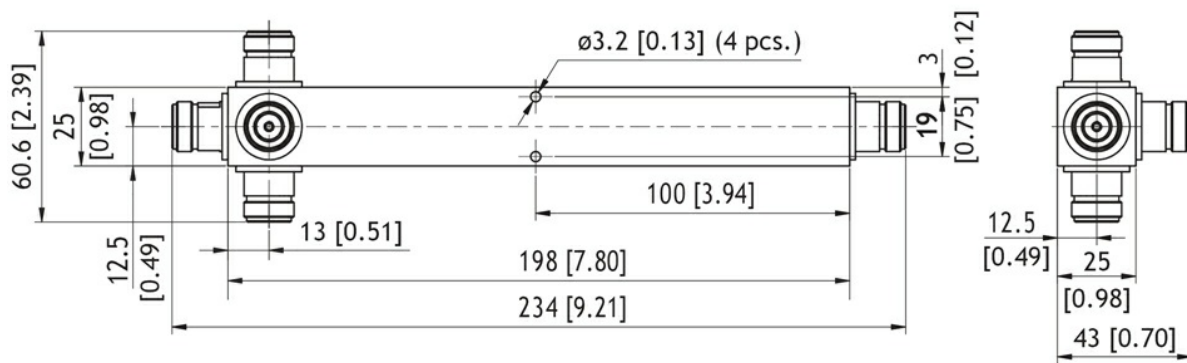
APS-02-WBM-LP-NF-CC



APS-03-WBM-LP-NF-CC



APS-04-WBM-LP-NF-CC



All dimensions are given in mm [in.]

