



DAP450

Operation Instructions

To use the Mast properly, read these instructions thoroughly before using it. Keep this manual carefully at hand for later use.

Description

1. The length of this product is able to be adjusted from 1.4m to 4.5m optionally.
2. To use Base bracket for coaxial connector (included) with mobile coaxial cable assembly (not included) is easy to install mobile antenna.
3. The Mast ring that is able to install small GP antenna is attached on the top pipe.
4. Video camera and digital camera can be installed with DAP450 by using the 1/4 inch screw that is included.

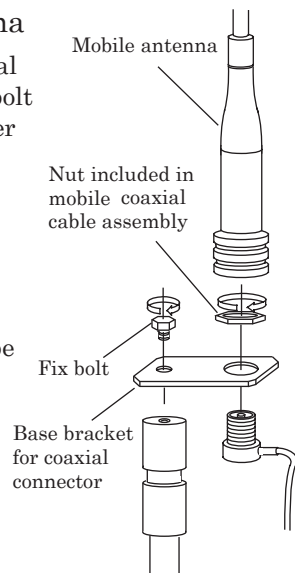
● To install mobile antenna

Install Base bracket for coaxial connector (include) with Fix bolt (include) and fix it with spanner firmly.

Install the antenna part connector of mobile coaxial cable assembly (not include) in the Base bracket and then install mobile antenna.

In case of SWR is not able to be lowered, the earth-ground is necessary.

Radialless antennas are recommended.



● To install base antenna

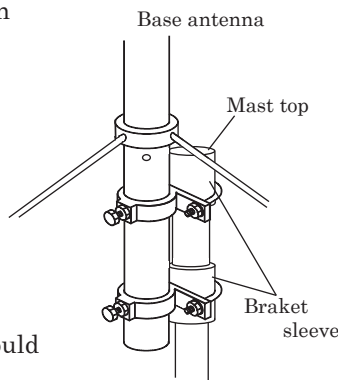
Install mast bracket assembly (included in base antenna) in mast top.

In case of the antenna that is needed to use two mast bracket assemblies, install mast brackets in mast top and mast brackets.

※Warning

Install antenna in only specified place, otherwise, the shape of mast pipe would be changed.

Since this product is for portable antenna mast, don't use it when it blows strongly and don't install it where is no space to set stay ropes.

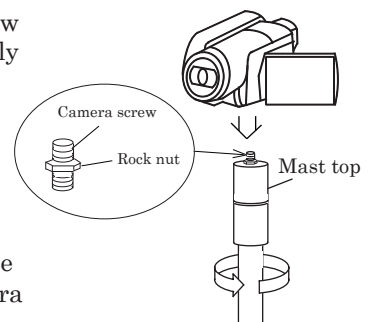


⚠ Warning

- This product is portable antenna mast for portable use. This Mast can not be use for permanently fixed use.
- Stand up the Mast strictly perpendicular style in use. Do not use the Mast in inclined, otherwise the Mast would be damaged.
- The antenna weight installed on the Mast have to be less than the maximum weight load. Do not use the Mast at the time of a strong wind and bad weather.
- After getting desired length, fasten the lock ring firmly by hand. Make sure to extend the Stay rope (included) firmly. The Mast is not self standing type.

● Install digital camera or video camera

Install the Camera screw with the Rock nut firmly on the top of Mast like the picture. Then install the Camera screw into the part in cameras for installing tripod stand. If the screw does not be installed firmly, do not use the Mast for digital camera or video camera.



※ We cannot take the responsibility for damage due to dropping.

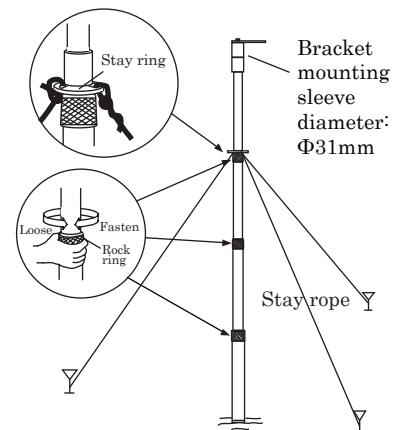
● How to install

Make the mast with antenna vertically, fix the lowest part. Loose the lock ring and extend the mast. After getting desired length, fasten the rock ring by hand.

※ Fasten the rock ring by HAND. Don't use any tools.

Cut the stay rope (include) into three equal parts, tie those rope to stay ring firmly.

In case of using tripod stand or tire base, make sure to use stay rope.



● Specification

Bracket mounting sleeve diameter: $\Phi 31\text{mm}$
 Length: approx. 1.4m (minimum) to approx. 4.5m (maximum) Weight: approx. 1.4kg
 Bracket mounting sleeve: 30mm
 Pipe diameter: $\Phi 22\text{mm}$ (upper), $\Phi 34\text{mm}$ (lower)
 4 sections, Telescopic type

Maximum weight load:
 approx. 8kg (in perpendicular setting and calm.)

Accessories: Stay rope 30m, Base bracket for coaxial connector, Fix bolt, Camera screw (all screws) Rock nut.